

Proclip

1. Mounting Pillar



Figure 1

2. Mounting brackets + Protective

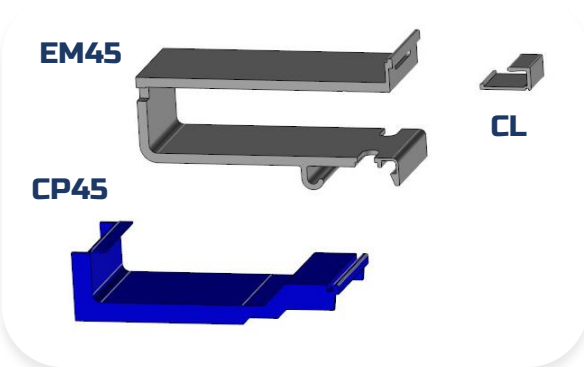


Figure 3

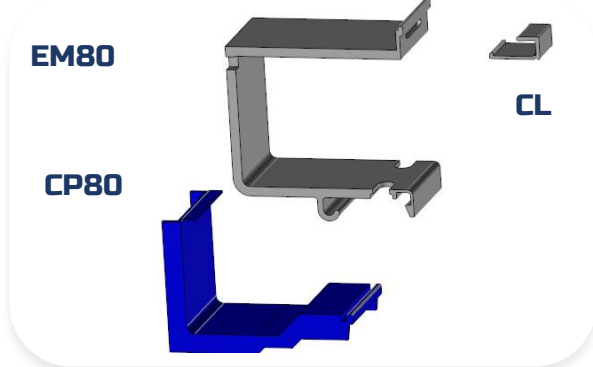


Figure 2

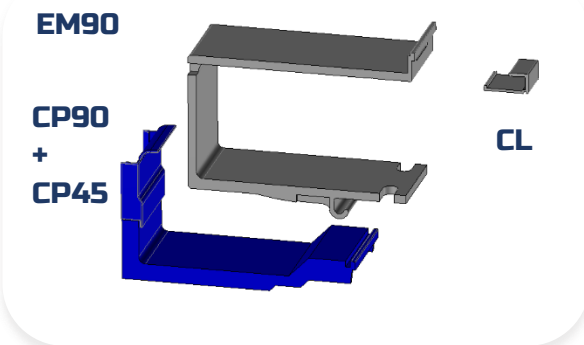


Figure 5

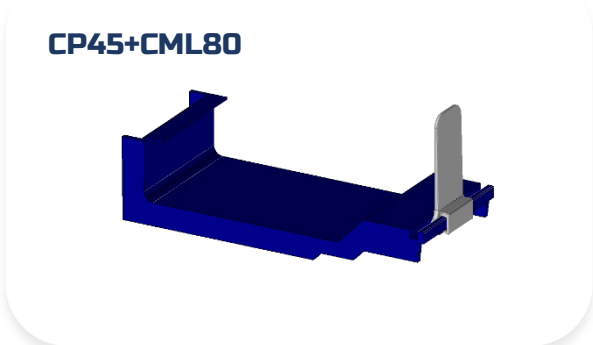


Figure 4

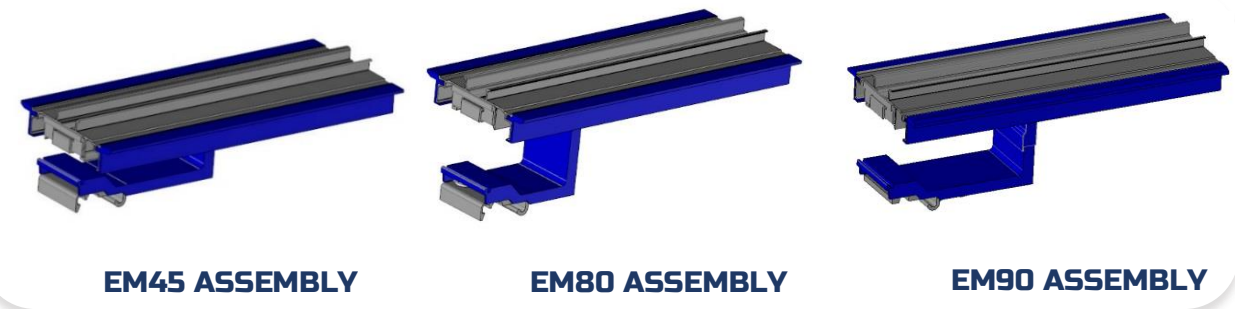


Figure 6

3. Profiles

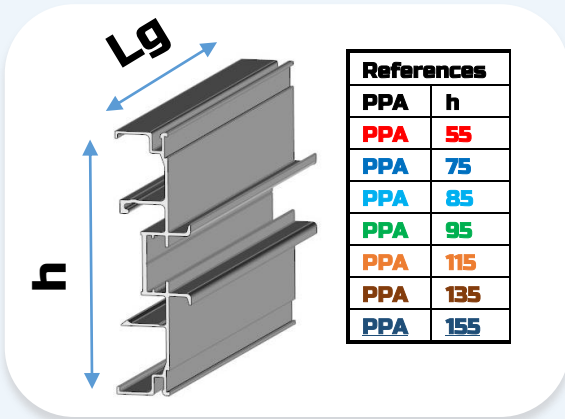


Figure 8

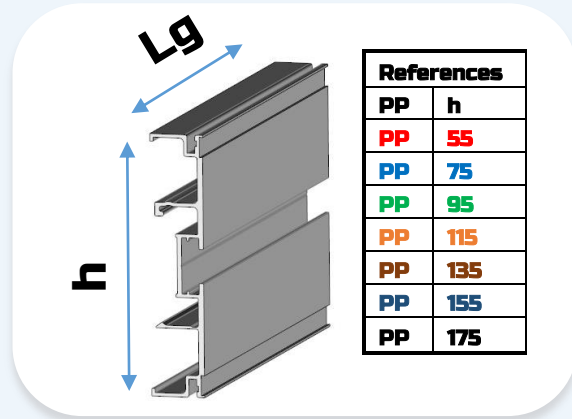


Figure 7

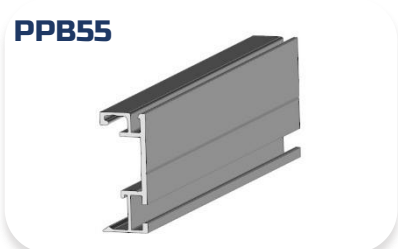


Figure 11

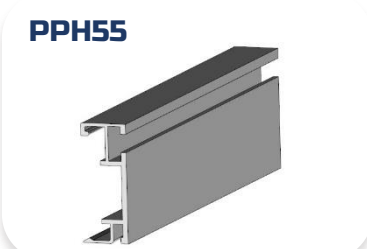


Figure 9

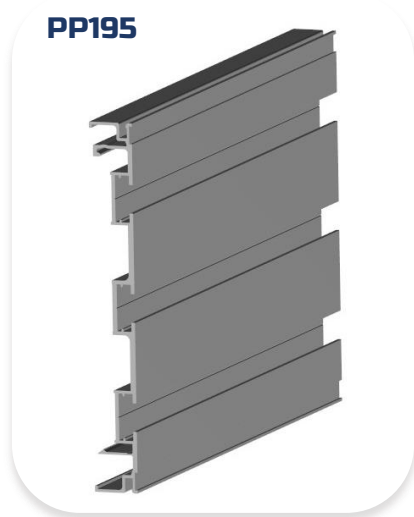


Figure 10

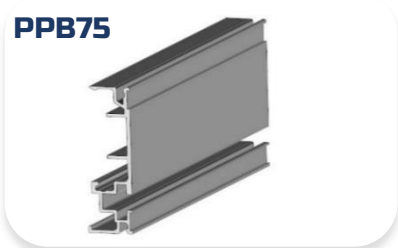


Figure 12

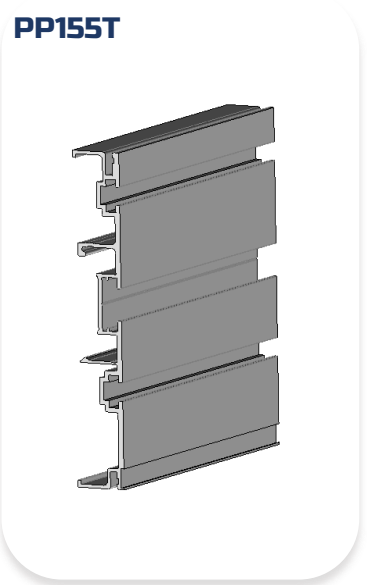


Figure 15

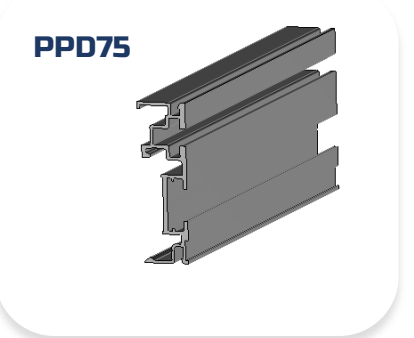


Figure 14

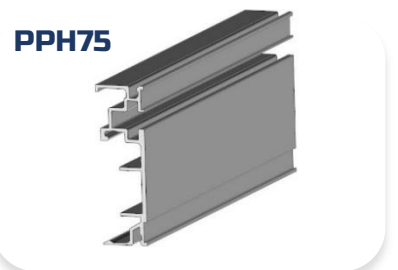


Figure 13

4. Accessories

PM50

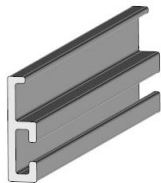


Figure 18

DIN35



Figure 17

PS35

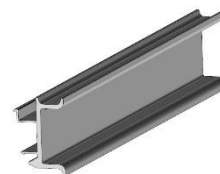


Figure 16

PM35

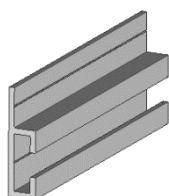


Figure 20

PC40

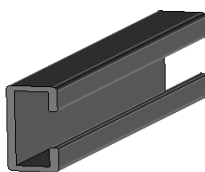


Figure 19

SBI

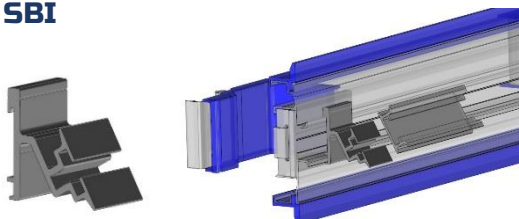


Figure 22

EXAMPLE

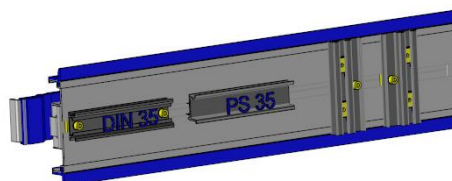


Figure 21

PDF



PDFC



PDFR



PDF CM

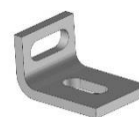


Figure 23

EDFB



EDFS



EDFA

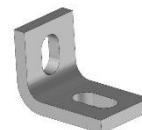
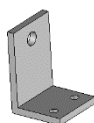


Figure 24

EDFR



PDFRs

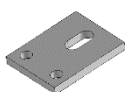


Figure 25

5. Plastics

Available in **BLUE** or **GREY**

PF300



Figure 28

CPF

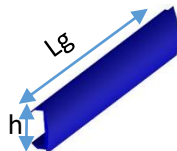


Figure 26

References	
CPF	h
CPF	15
CPF	20
CPF	25
CPF	30
CPF	35
CPF	50

CEC60

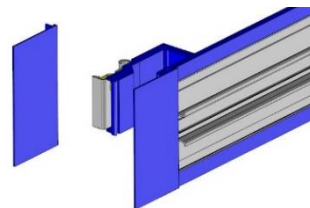


Figure 27

HWD45

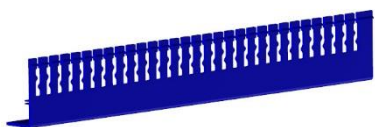


Figure 29

HWD80

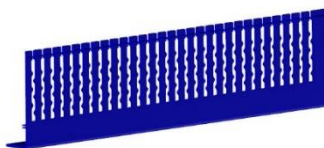


Figure 30

FL80/45

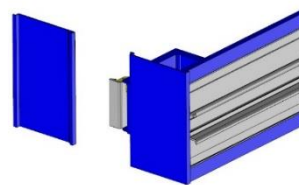


Figure 31

FF85

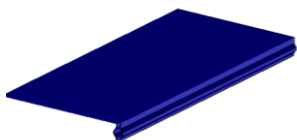


Figure 33

HWD80/45 + FF85

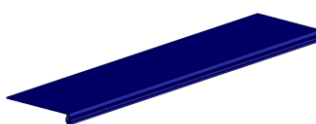
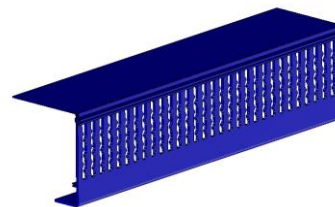


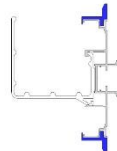
Figure 32



BC80



BC80/45



BC45



Figure 34

6. Fasteners



Figure 35



Figure 36

Prolight

1. Mounting Pillar

MSF10



Figure 38

MQF37



Figure 37

TSF12

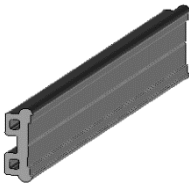


Figure 40

MTH35



Figure 39

2. Light Mounting Bracket

EMS F H

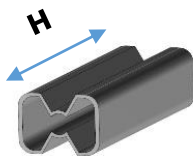


Figure 43

VSTM6*L

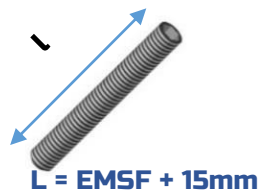


Figure 42

MSF10 MOUNTING

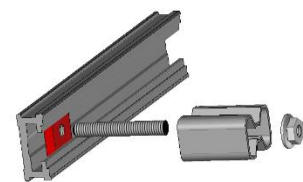


Figure 41

EEM6



EEM6s



Figure 46

VTHM6*L

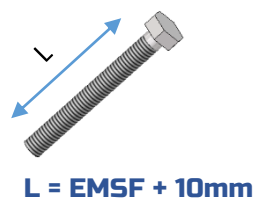


Figure 44

TSF12 MOUNTING

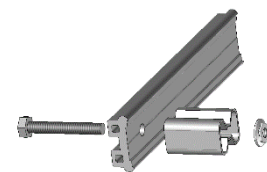


Figure 45

3. Profiles

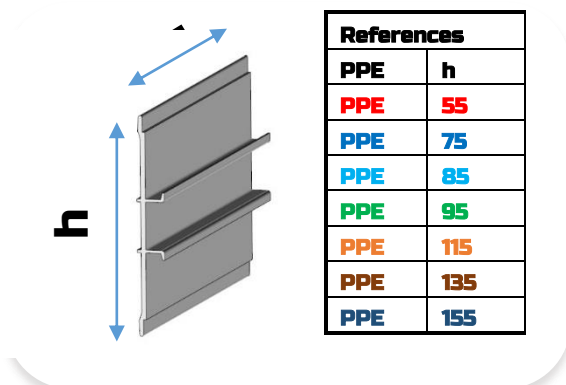


Figure 48

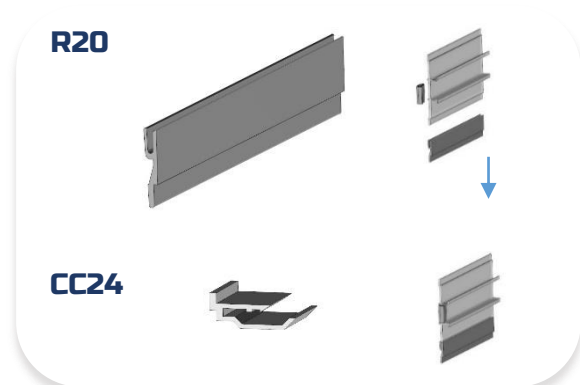


Figure 47



Figure 52



Figure 49



Figure 50



Figure 51

4. Accessories

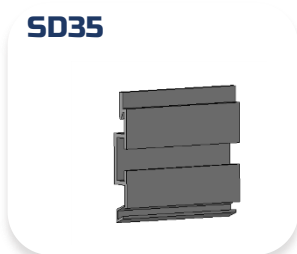


Figure 53

5. Plastics

Available in **BLUE** or **GREY**



Figure 54

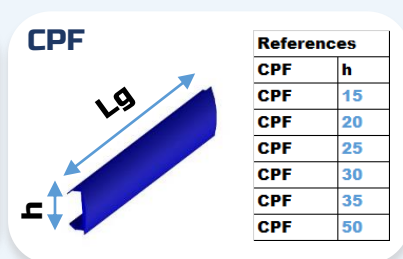


Figure 56

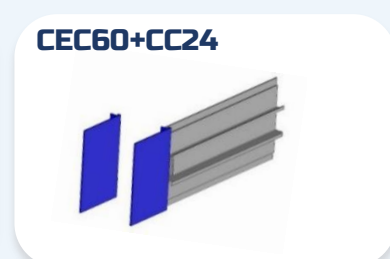


Figure 55

6. Example Page

6.1 Hwd mounting ways

BOTTOM CLOSING

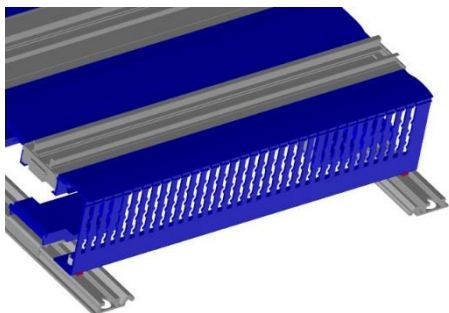


Figure 57

DIVIDER

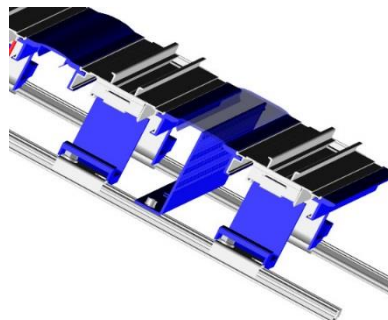


Figure 58

HIGH WIRE DENSITY OR HEAVY GAUGE WIRE

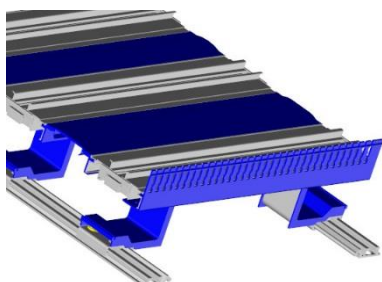


Figure 59

6.2 Example

PROLIGHT

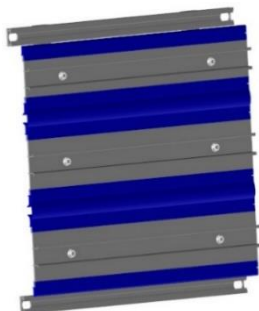


Figure 61

PROCLIP

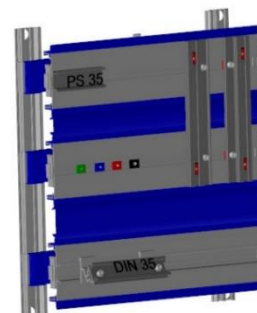


Figure 60

Accessories



Figure 62